

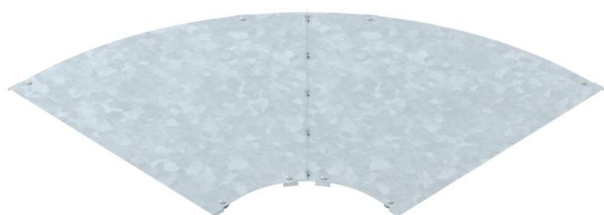
Technical data sheet

Cover for 90° bend FT

Item number: 6226028



Cover with turn buckles for covering 90° cable ladder bends with welded rungs.



CE

St Steel

FT Hot-dip galvanised

Master data

Item number	6226028
Type	LBD 90 1000 R3FT
Description 1	90° bend cover
Description 2	with turn buckle
Manufacturer	OBO
Dimension	B1000
Material	Steel
Surface	Hot-dip galvanised
Surface standard	DIN EN ISO 1461
Smallest sales unit	1
Unit of quantity	Piece
Weight	1624 kg
Weight unit	kg/100 pc.

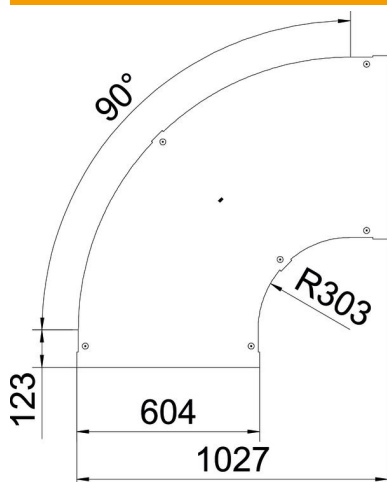
Technical data sheet

Cover for 90° bend FT

Item number: 6226028



Dimensions



Width	1,000 mm
Plate thickness	1.25 mm
Dimension B (mm)	1,000 mm

Technical data

Bend (angle)	90°
Fastening type	Sash lock
Maintain electrical functions	no
Suitable for mesh cable tray	no
Suitable for cable ladder	yes
Suitable for cable tray	no
Change of direction	Horizontal
Rustproof steel, pickled	no
Hinged	no